

## User's guide Prodipe 4i4o + Merge 2i4o

### 1. Introduction to the "Prodipe 4i4o + Merge 2i4o" MIDI USB interface

The MIDI USB Prodipe 4i4o is a convenient 4 in / 4 out, 64 channels, USB MIDI interface for PC and Mac computers. With the MIDI USB Prodipe 4i4o you can obtain perfect MIDI timing and performance at an extremely affordable price.

#### Features :

- 4 MIDI inputs and 4 MIDI outputs (64 MIDI channels)
- **Merge function 2 ins -> 4 outs included**
- Perfect MIDI timing
- High-speed connection to USB-equipped PC or Macintosh computers
- USB-powered; required no external power supply
- Compact size
- Compatible with Windows XP, Vista, 7 and Mac OSX or better
- True plug-n-play, users do not need to install driver for Windows XP, Vista, 7 and Mac OSX

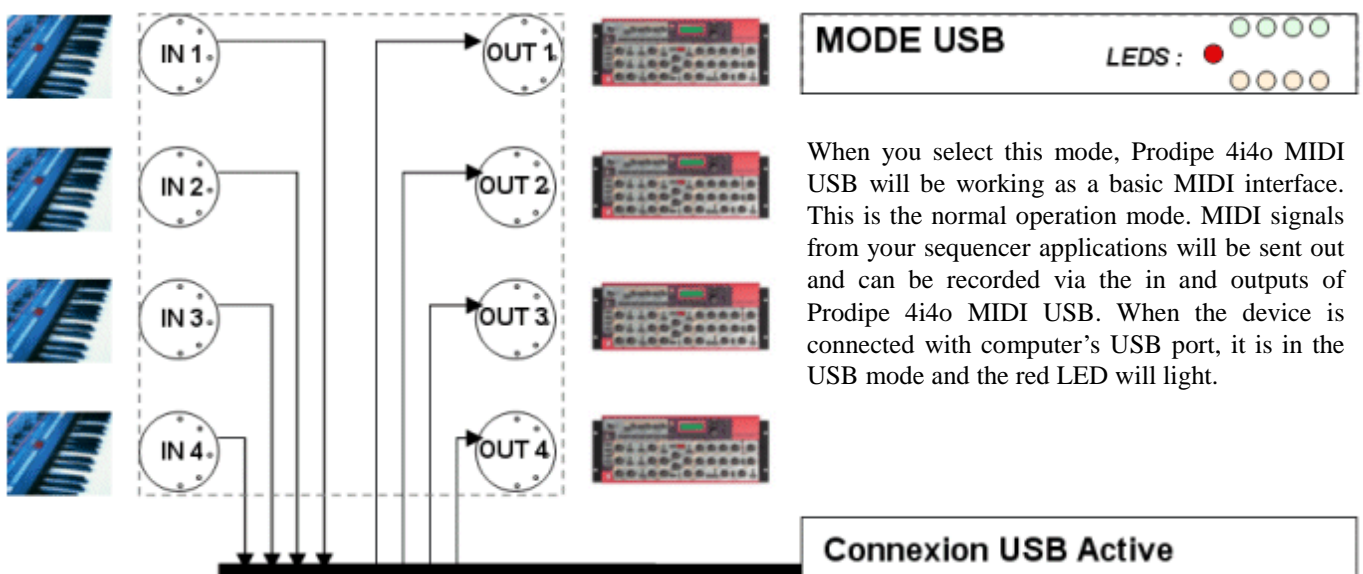


### 2. Using the "MIDI Prodipe USB 4x4" interface

#### 1: USB / "MIDI THRU" mode switch button

This button lets you chose one of the **6** operating modes of the interface (one USB mode and 4 Midi Thru modes)

#### **USB Mode:**



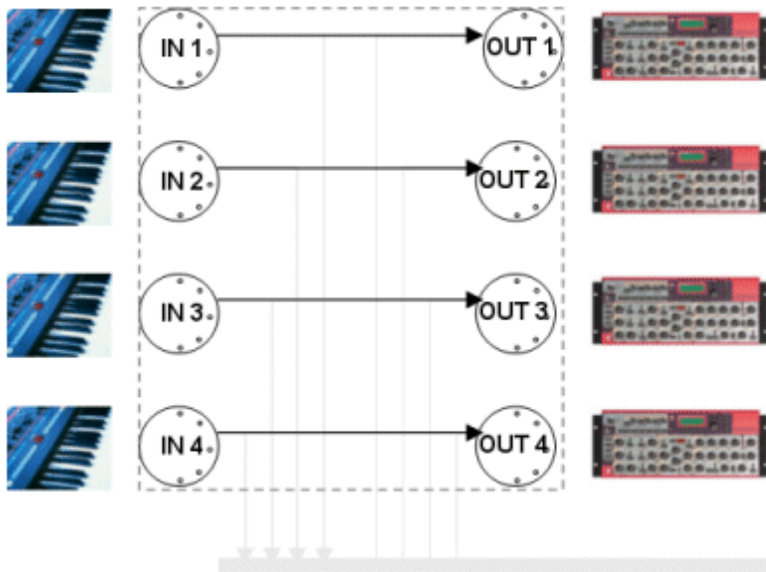
**MODE USB**      **LEDS :** ● ○ ○ ○ ○

When you select this mode, Prodipe 4i4o MIDI USB will be working as a basic MIDI interface. This is the normal operation mode. MIDI signals from your sequencer applications will be sent out and can be recorded via the in and outputs of Prodipe 4i4o MIDI USB. When the device is connected with computer's USB port, it is in the USB mode and the red LED will light.

**Connexion USB Active**



### Mode THRU 1:



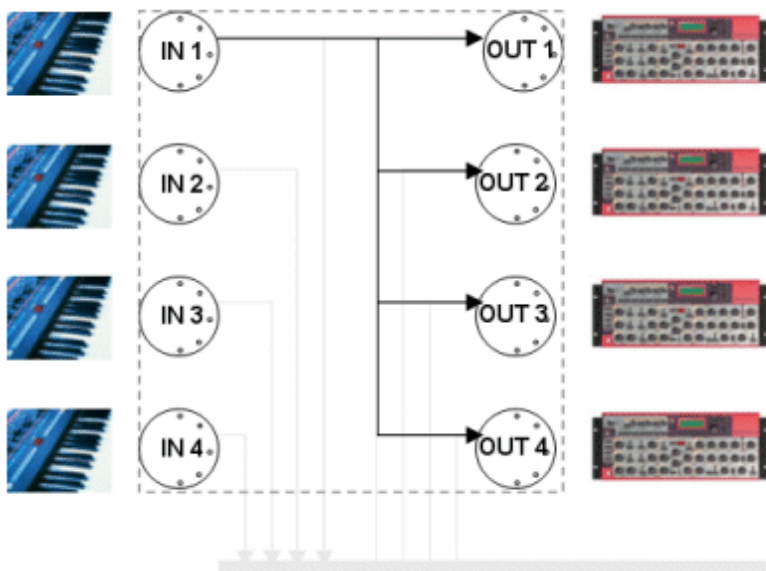
**MODE Thru 1**      LEDS:

In this mode, each input is connected to its corresponding output :  
input **1** is connected to output **1**  
input **2** is connected to output **2**  
input **3** is connected to output **3**  
input **4** is connected to output **4**  
All leds are lighted.

Connexion USB Inactive



### Mode THRU 2 :



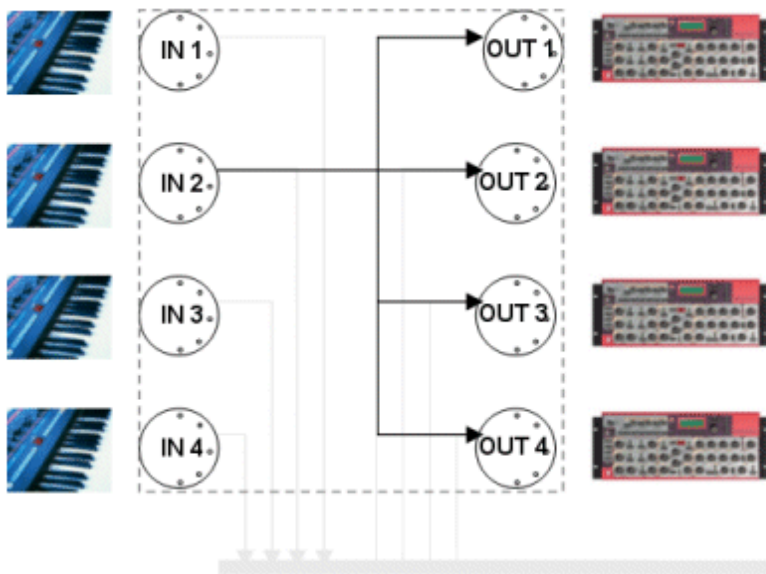
**MODE Thru 2**      LEDS:

In this mode, input **1** is connected to the **4** outputs.  
Input Led 1 and all 4 outputs Leds are lighted.  
After 2 or 3 seconds, the output leds are turned off (input led remains on).  
Output leds are lighted when MIDI input datas are received.

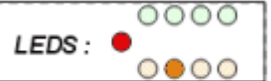
Connexion USB Inactive



### Mode THRU 3 :



### MODE Thru 3



In this mode, input **2** is connected to the **4** outputs.

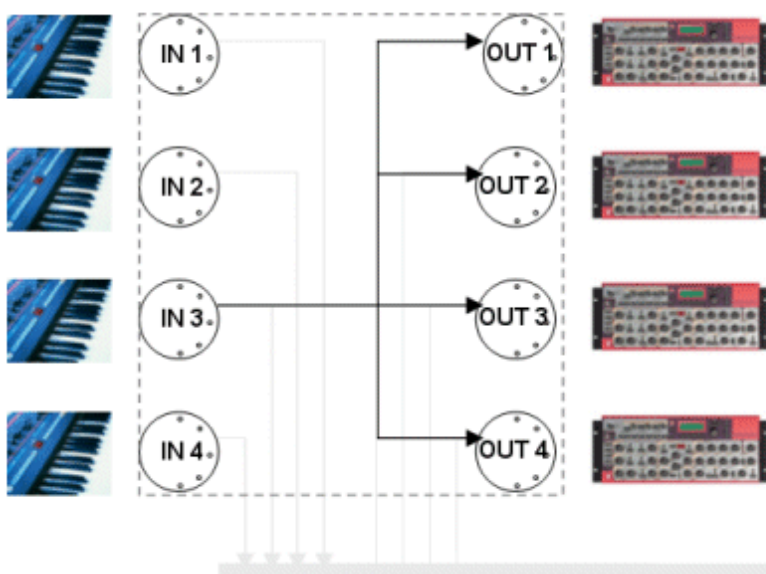
Input Led 1 and all 4 outputs Leds are lighted.  
After 2 or 3 seconds, the output leds are turned off (input led remains on).

Output leds are lighted when MIDI input datas are received.

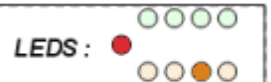
Connexion USB Inactive



### Mode THRU 4 :



### MODE Thru 4



In this mode, input **3** is connected to the **4** outputs.

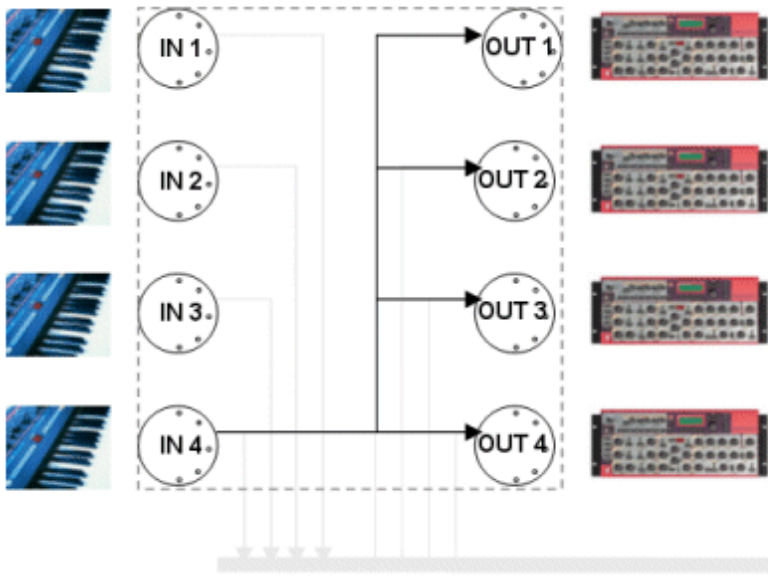
Input Led 1 and all 4 outputs Leds are lighted.  
After 2 or 3 seconds, the output leds are turned off (input led remains on).

Output leds are lighted when MIDI input datas are received.

Connexion USB Inactive



**Mode THRU 5 :**

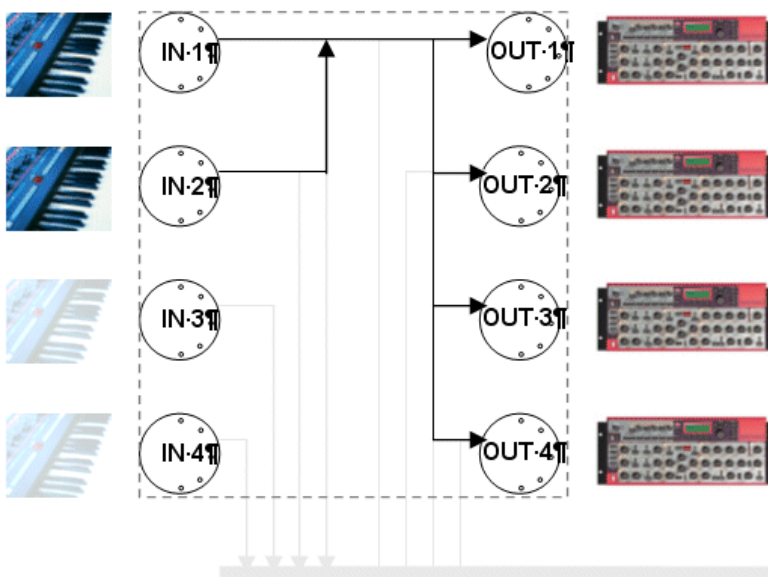


**MODE Thru 5**      LEDS: ● ● ● ● ● ● ● ●

In this mode, input **4** is connected to the **4** outputs.  
 Input Led 1 and all 4 outputs Leds are lighted.  
 After 2 or 3 seconds, the output leds are turned off (input led remains on).  
 Output leds are lighted when MIDI input datas are received.



**Merge Mode :**



**MODE Merge**      LEDS: ● ● ● ● ● ● ●

In this mode, all datas coming from inputs **1** and **2** are mixed (merged) and sent to outputs **1, 2, 3 et 4**

The USB connection with the computer is inactive.



**Please keep in mind that THRU Mode only works when your computer is turned on as it need to be powered via USB port, or an external USB power adaptor (not included).**

### 3. Minimum System Requirements:

#### 1) PC

##### **Windows XP, Vista ou higher**

- Intel Pentium CPU or equivalent AMD CPU minimum
- Motherboard with Intel series chipsets or VIA chipsets recommended
- One available USB port
- More than 256MB of RAM

#### 2) Mac

##### **Mac OS 10.1 or higher only**

- Macintosh with G3 or better processor (except the original PowerBook G3)
- One available USB port
- More than 256MB of RAM